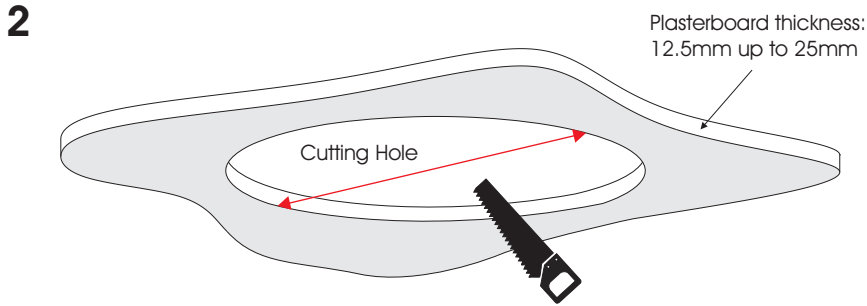
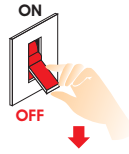


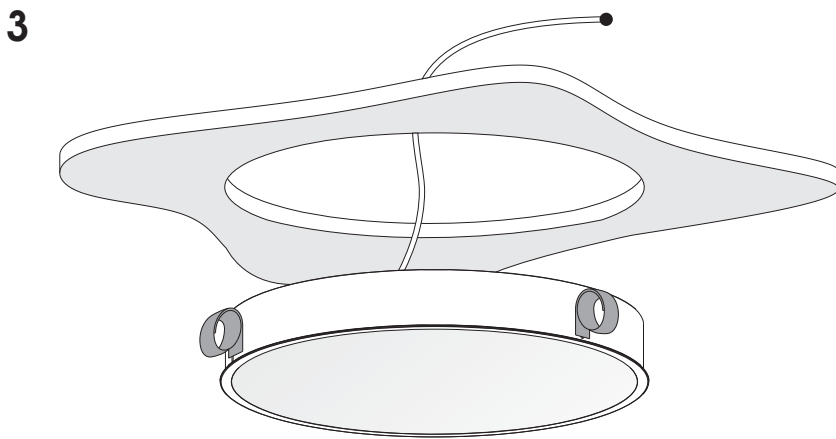
# DISC RC - Installation Manual



**1**  **Attention**  
Before any maintenance switch off the main power.



Luminaires	Cutting Hole
270mm	275mm
400mm	405mm
580mm	585mm
850mm	855mm
1130mm	1135mm
1420mm	1425mm



**Attention**

The luminaire must be connected only by a qualified electrician.

